



Cover 1:
Element Silver

Optional Extra
Scatter Cushions:
Sunset Granite

Cover 1:
Jedi Petrol

Dark Feet

Ted Collection

Colours represented are to be used as a guide only.
Please refer to manufacturers swatch for a more accurate colour match.

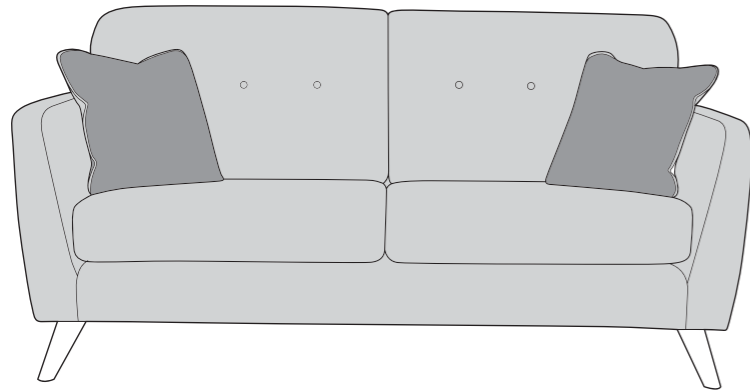
Please note that colour shadings can vary slightly from each roll of fabric.
We cannot guarantee a precise match to these samples or between cut lengths and upholstered goods.

13/05/2021

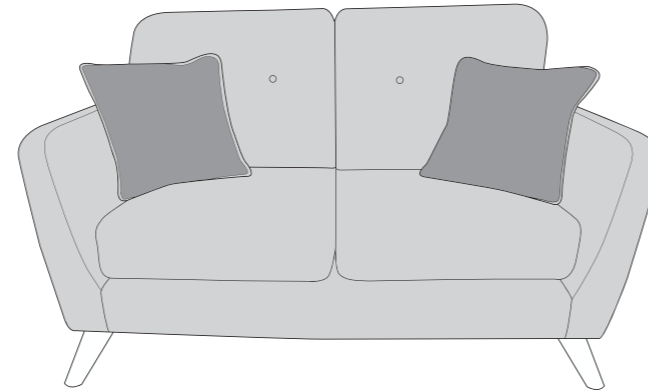
TED COVER GUIDE: STANDARD BACK ONLY

Please use this guide when ordering the following pieces to clarify cover options.

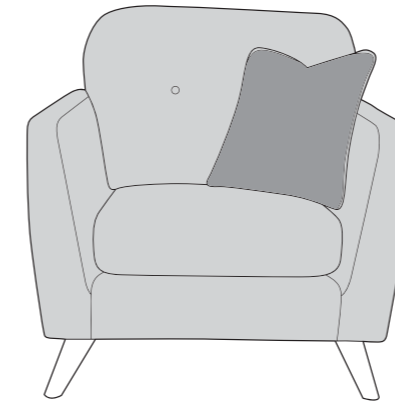
3 Seater Sofa (3ST)



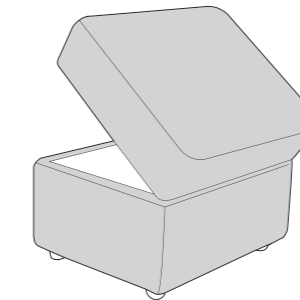
2 Seater Sofa (2ST)



Arm Chair (1ST)

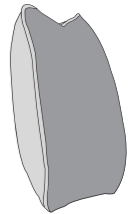


Storage Footstool (FSS)



-  **COVER 1**
(BODY)
-  **COVER 2**
(OPTIONAL EXTRA
SCATTER CUSHION)

Optional Extra Scatter Cushions



Front = Cover 2
Piping = Cover 1
Back = Cover 1

TED DIMENSIONS (CM)

AVAILABLE PIECES	HEIGHT 1	WIDTH 2	DEPTH 3	SEAT HEIGHT 4	SEAT DEPTH 5	SEAT WIDTH 6	ACCESS DIAGONAL 7	WEIGHT (KG)
MEDIUM SOFA	91	174	90	46	49	149	193	38
SMALL SOFA	91	143	90	46	49	118	165	33
ARM CHAIR	91	86	90	46	49	60	120	24
ACCENT PIECES								
STORAGE FOOTSTOOL	43	61	50	N/A	N/A	N/A	75	12.5

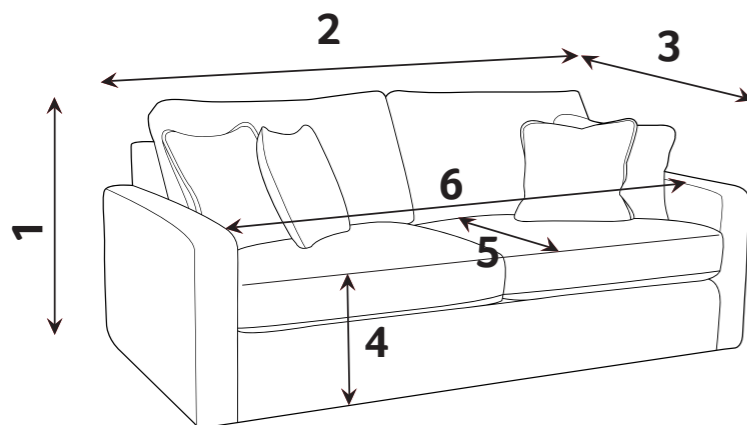
* Hardwood & composite board frame.

* Dowelled, screwed, glued & stapled joinery.

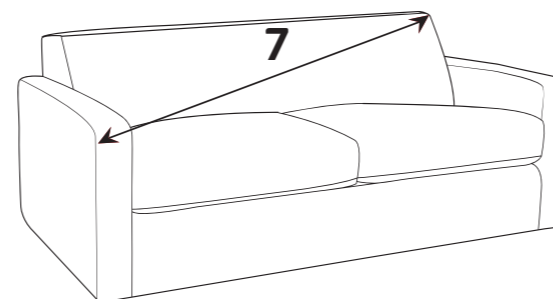
* Serpentine seat springs & silent wire.

* Superloop back springs.

DIMENSION GUIDE



Check the diagonal access dimension to ensure furniture will fit in your home.



- 1 - HEIGHT
- 2 - WIDTH
- 3 - DEPTH
- 4 - SEAT HEIGHT
- 5 - SEAT DEPTH (STD & PILLOW)
- 6 - SEAT WIDTH
- 7 - DIAGONAL ACCESS

Illustrations used for reference only.

HIGH DENSITY FOAM SEATS

Our high density foam seat interiors offer a comfortable and supportive sit whilst maintaining their shape.

CARE GUIDE

To improve the longevity of your hand-made furniture, we recommend rotating cushions (where applicable).

For further information on maintaining your furniture, please refer to the Care Guide located under the seat platform.

Antique (Dark)

Beech (Light)



FOOT OPTIONS:



Please note : All dimension are approximate. Allow tolerance of +/- 2.5cm.

Wood is a natural product and will vary in shade/colour from item to item. Feet may require fitting.