



Cover 1:
Portia Mink

Mid Oak Feet

Queensbury Collection

Extra Flex[®]
Soft, Supportive Seating

Colours represented are to be used as a guide only.
Please refer to manufacturers swatch for a more accurate colour match.

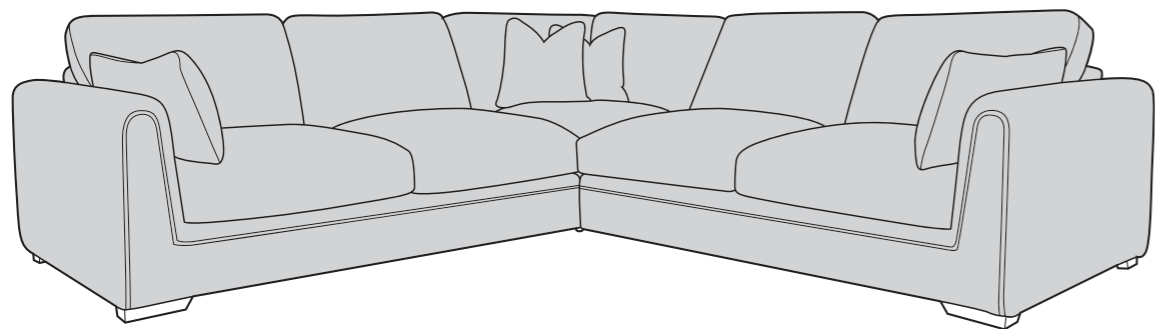
Please note that colour shadings can vary slightly from each roll of fabric.
We cannot guarantee a precise match to these samples or between cut lengths and upholstered goods.

28/10/2021

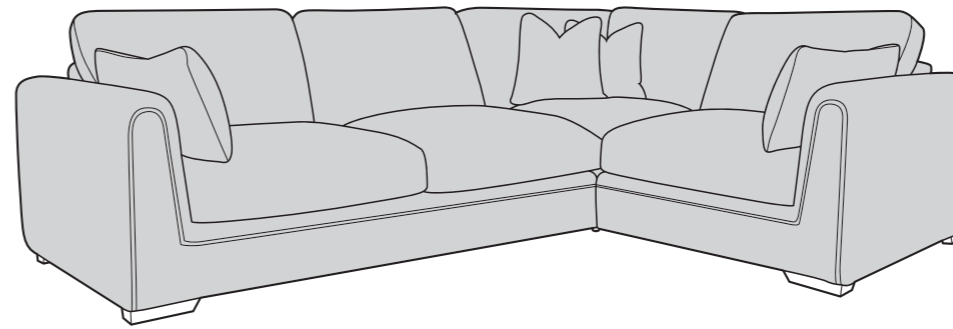
QUEENSBURY GUIDE: STANDARD BACK ONLY

Please use this guide when ordering the following pieces to clarify cover options.

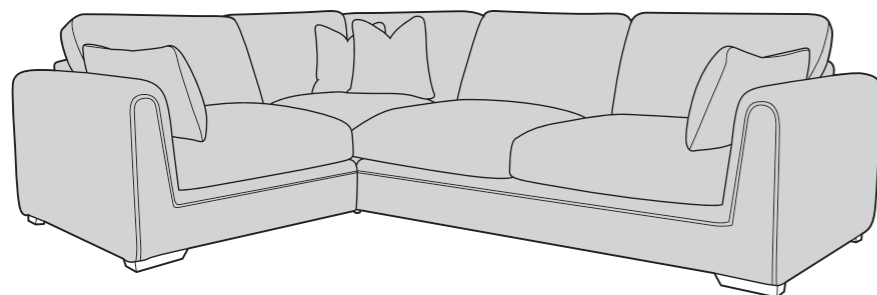
LH2, COR, RH2 Corner Group



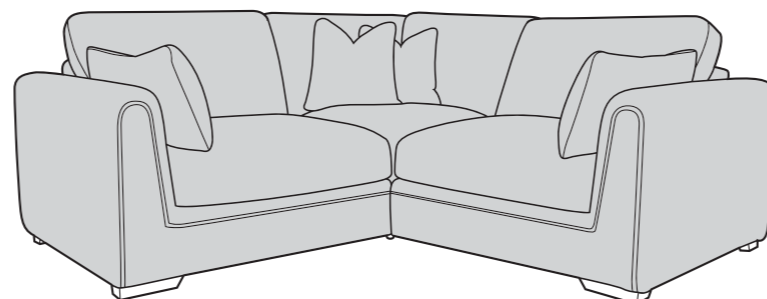
LH2, COR, RH1 Corner Group



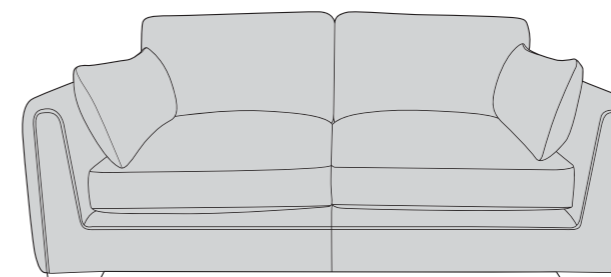
LH1, COR, RH2 Corner Group



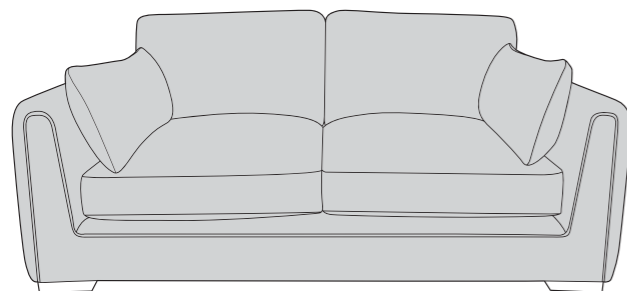
LH1, COR, RH1 Corner Group



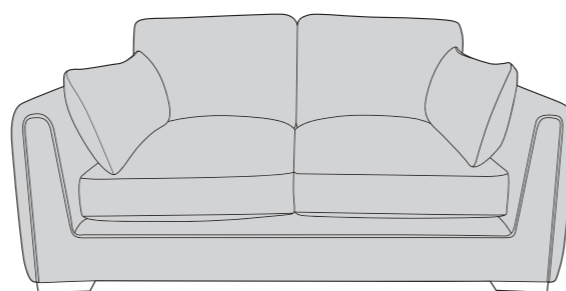
4 Seater Modular Sofa (4MD)



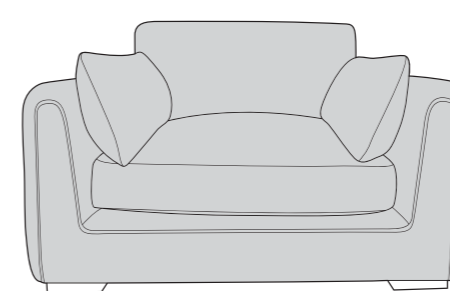
3 Seater Sofa (3ST)



2 Seater Sofa (2ST)

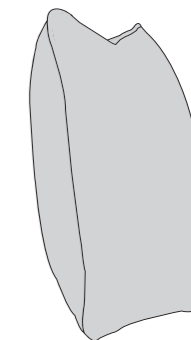


Love Chair (LOV)



 **COVER 1**
(BODY)

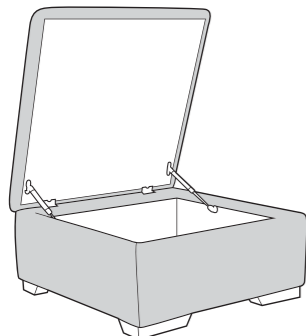
Scatter Cushions



Front = Cover 1
Back = Cover 1

SUGGESTED ACCENT PIECES

Queensbury Storage Footstool (FSS)



QUEENSBURY DIMENSIONS (CM)

AVAILABLE PIECES	HEIGHT 1	OUTBACK HEIGHT	WIDTH 2	DEPTH 3	ARM HEIGHT	SEAT HEIGHT 4	SEAT DEPTH 5	SEAT WIDTH 6	ACCESS DIAGONAL 7	WEIGHT (KG)	SCATTER CUSHION NO.
LH2/COR/RH2 CORNER GROUP	84	68	279	279	63	47	63	N/A	N/A	135.5	2
LH2/COR/RH1 CORNER GROUP or LH1/COR/RH2 CORNER GROUP	84	68	279	203	63	47	63	N/A	N/A	118	2
LH1/COR/RH1 CORNER GROUP	84	68	203	203	63	47	63	N/A	N/A	100.5	2
LH2/RH2 UNIT	84	68	175	106	63	47	63	136	200	51.5	N/A
LH1/RH1 UNIT	84	68	99	106	63	47	63	60	145	34	N/A
COR - CORNER UNIT	84	68	104	104	63	47	63	N/A	145	32.5	2
4 SEATER MOUDLAR SOFA (4MD)	84	68	228	106	63	47	63	150	252	70	N/A
3 SEATER SOFA (3ST)	84	68	198	106	63	47	63	119	218	66	N/A
2 SEATER SOFA (2ST)	84	68	177	106	63	47	63	99	200	60.5	N/A
LOVE CHAIR (LOV)	84	68	136	106	63	47	63	55	166	52.5	N/A
ACCENT PIECES											
QUEENSBURY STORAGE FOOSTOOL (FSS)	34	N/A	68	68	N/A	N/A	N/A	N/A	93	19	N/A

* Hardwood & composite board frame.

* Dowelled, screwed, glued & stapled joinery.

* Antique & Mid Oak Foot .

* Fibre filled reversible backs for added comfort.

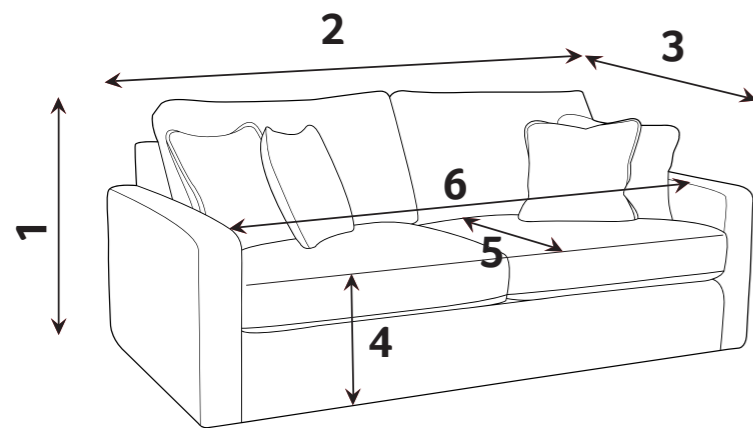
* Super soft Feather filled arm pads for added comfort.

* ExtraFlex high comfort seat cushions.

* Serpentine seat springs & silent wire.

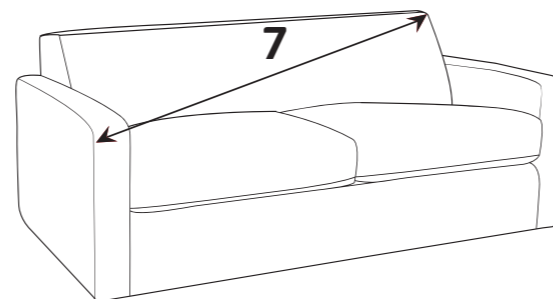
* Elasticated Webbed Backs

DIMENSION GUIDE



- 1 - HEIGHT
- 2 - WIDTH
- 3 - DEPTH
- 4 - SEAT HEIGHT
- 5 - SEAT DEPTH (STD & PILLOW)
- 6 - SEAT WIDTH
- 7 - DIAGONAL ACCESS

Check the diagonal access dimension to ensure furniture will fit in your home.



Illustrations used for reference only.

Extra Flex[®]

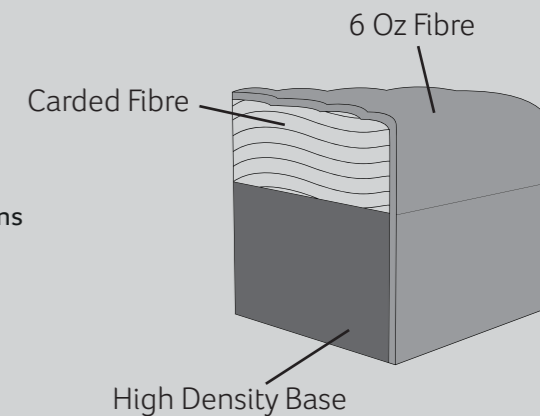
A high density foam base seat interior with a hand-rolled carded fibre, channelled topper which provides both softness and support.

CARE GUIDE

Extraflex seat cushions should be **plumped up on a regular basis** to help maintain the aesthetic appeal of your upholstery, the plumping of cushions is essential to help retain the comfort and softness of any piece of upholstered furniture.

To improve the longevity of your hand-made furniture, we recommend rotating cushions (where applicable).

For further information on maintaining your furniture please refer to the care guide located under the seat platform.



Antique

Mid Oak

Foot Options



Please note : All dimension are approximate. Allow tolerance of +/- 2.5cm.

Wood is a natural product and will vary in shade/colour from item to item. Feet require fitting.



The mark of responsible forestry

28/10/2021