



# Parkway Collection

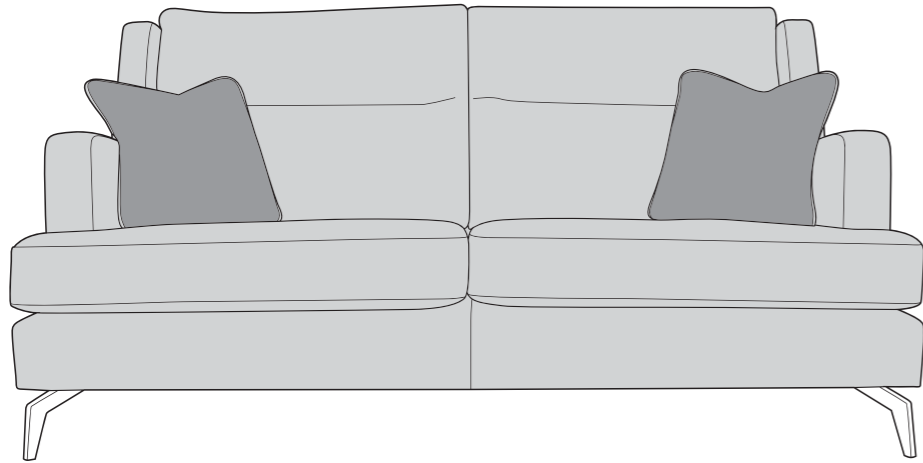
Colours represented are to be used as a guide only.  
Please refer to manufacturers swatch for a more accurate colour match.

Please note that colour shadings can vary slightly from each roll of fabric.  
We cannot guarantee a precise match to these samples or between cut lengths and upholstered goods.

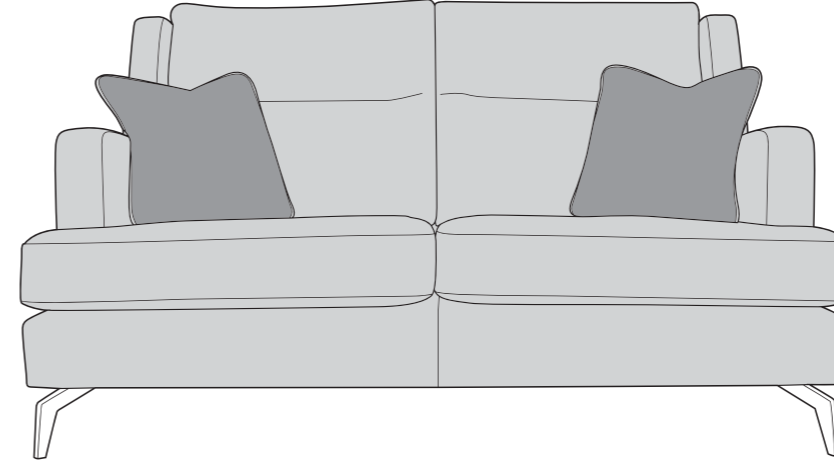
# PARKWAY COVER GUIDE: STANDARD BACK ONLY

Please use this guide when ordering the following pieces to clarify cover options.

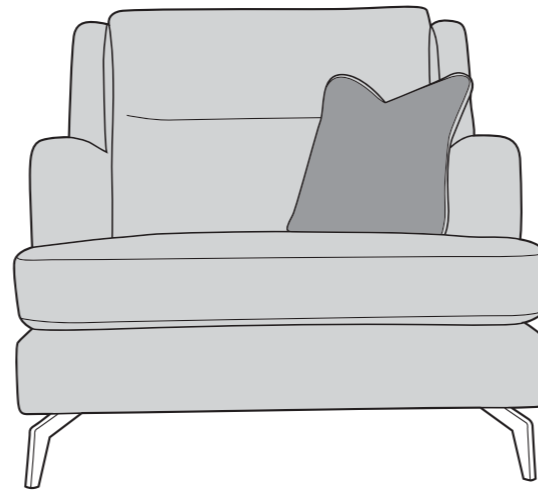
3 Seater Sofa (3ST)



2 Seater Sofa (2ST)



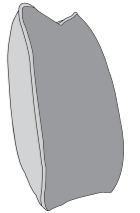
Love Chair (LOV)



-  **COVER 1**  
(BODY)
-  **COVER 2**  
(SCATTER)

## Scatter Cushions

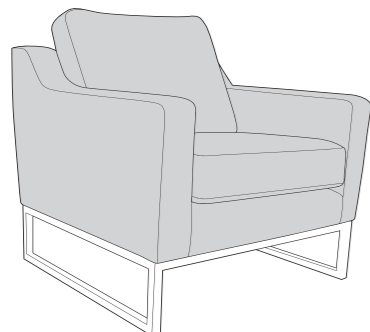
Scatter  
Cushions



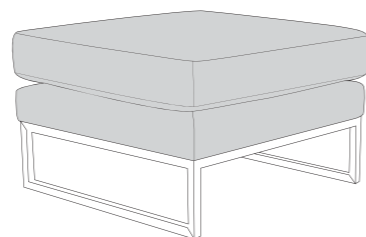
Front = Cover 2  
Piping = Cover 1  
Back = Cover 1

## ACCENT PIECES

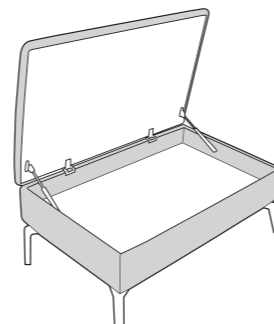
Money Penny Accent Chair (ACH)



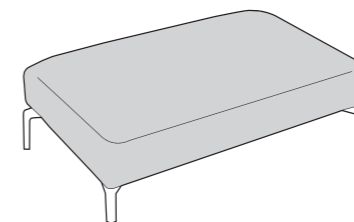
Money Penny Footstool (FST)



Parkway  
Storage Footstool (FSS)



Parkway Footstool (FST)



# PARKWAY DIMENSIONS (CM)

AVAILABLE PIECES	HEIGHT 1	OUTBACK HEIGHT	WIDTH 2	DEPTH 3	ARM HEIGHT	SEAT HEIGHT 4	SEAT DEPTH (STD) 5	SEAT WIDTH 6	ACCESS DIAGONAL 7	WEIGHT (KG)	SCATTER CUSHION NO.
3 SEATER SOFA (3ST)	95	88	187	104	66	48	59	159	207	61.5	2
2 SEATER SOFA (2ST)	95	88	160	104	66	48	59	134	184	53	2
LOVE CHAIR (LOV)	95	88	93	104	66	48	59	64	139	40	1
<b>ACCENT PIECES</b>											
MONEYPENNY ACCENT CHAIR (ACH)	86	74	76	78	63	50	38	54	105	33.5	N/A
MONEYPENNY FOOTSTOOL (ACH)	47	N/A	77	77	N/A	N/A	N/A	N/A	103	20	N/A
PARKWAY STORAGE FOOTSTOOL (FSS)	39	N/A	104	64	N/A	N/A	N/A	N/A	117	21.5	N/A
PARKWAY FOOTSTOOL (FST)	37	N/A	106	65	N/A	N/A	N/A	N/A	75	14.5	N/A

\* Hardwood & composite board frame.

\* Dowelled, screwed, glued & stapled joinery.

\* Chrome & Wood foot options.

\* Fibre filled backs for added comfort.

\* Feather filled scatters included.

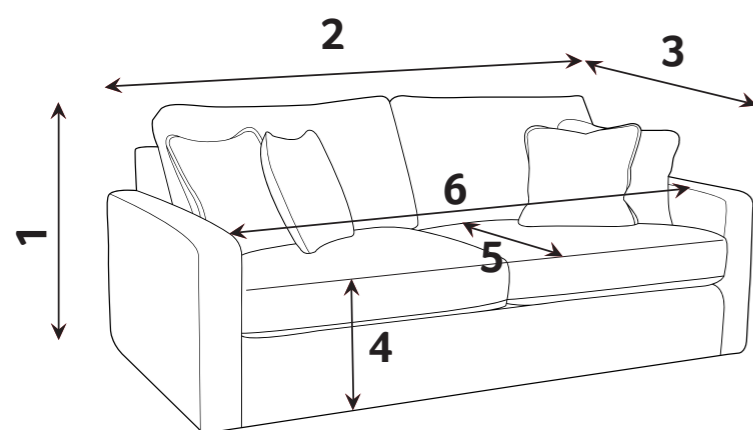


\* High density foam seats for support and comfort.

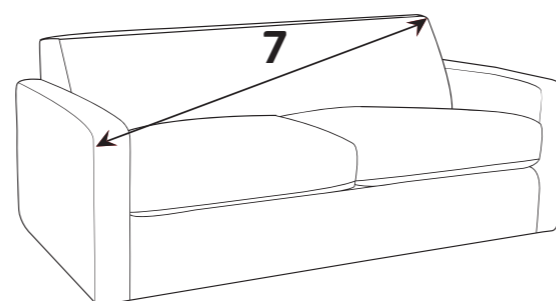
\* Serpentine seat springs & silent wire.

\* Elasticated back webbing.

## DIMENSION GUIDE



Check the diagonal access dimension to ensure furniture will fit in your home.



1 - HEIGHT  
2 - WIDTH

3 - DEPTH  
4 - SEAT HEIGHT

5 - SEAT DEPTH (STD & PILLOW)  
6 - SEAT WIDTH

7 - DIAGONAL ACCESS

Illustrations used for reference only.

## HIGH DENSITY FOAM SEATS

Our high density foam seat interiors offer a comfortable and supportive sit whilst maintaining their shape.

## CARE GUIDE

To improve the longevity of your hand-made furniture, we recommend rotating cushions (where applicable).

For further information on maintaining your furniture, please refer to the Care Guide located under the seat platform.

## FOOT OPTIONS:



Please note: All dimension are approximate. Allow tolerance of +/- 2.5cm.

Wood is a natural product and will vary in shade/colour from item to item. Feet require fitting.



06/05/2021