



Cover 1:  
Kingston Blush

Cover 2:  
Fabulous Blush

Antique Feet

# Maia Collection

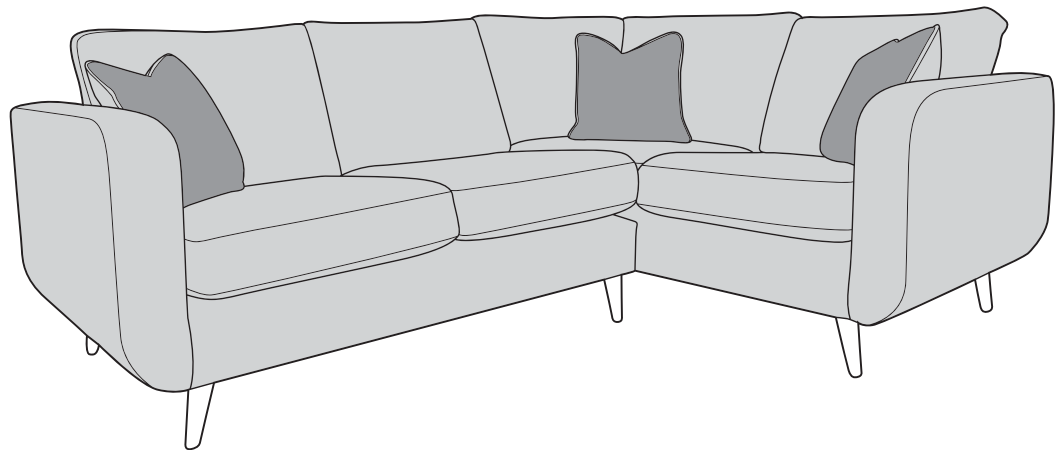
Colours represented are to be used as a guide only.  
Please refer to manufacturers swatch for a more accurate colour match.

Please note that colour shadings can vary slightly from each roll of fabric.  
We cannot guarantee a precise match to these samples or between cut lengths and upholstered goods.

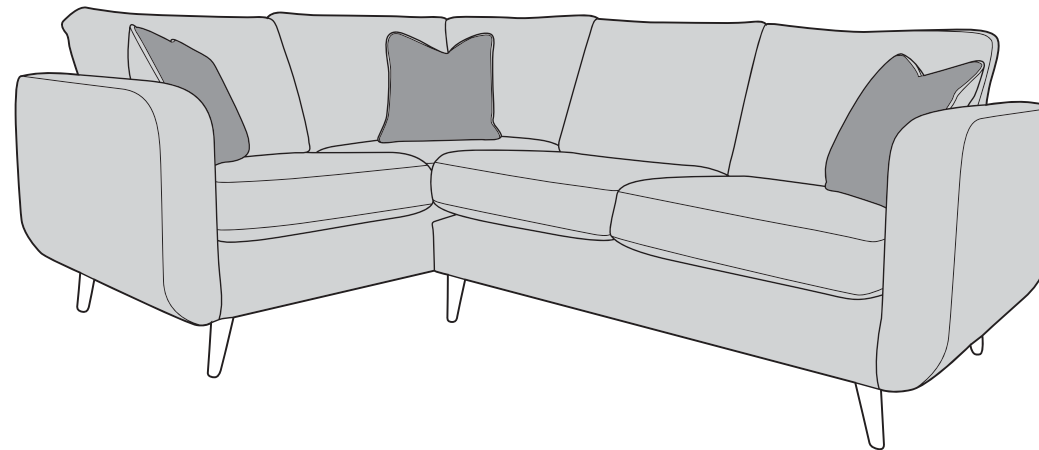
# MAIA COVER GUIDE: STANDARD BACK ONLY

Please use this guide when ordering the following pieces to clarify cover options.

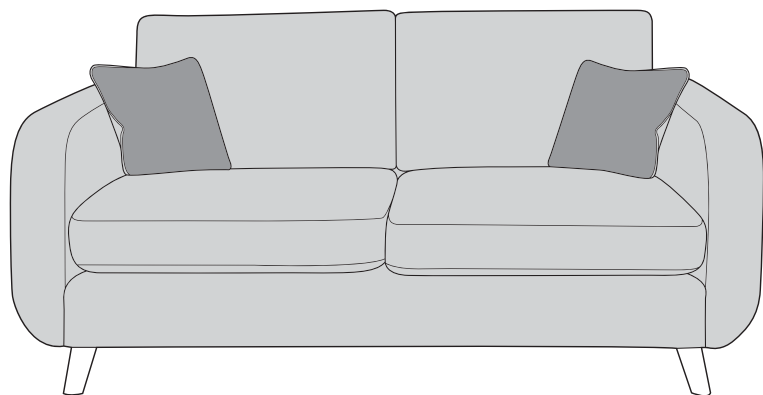
Corner Goup: LH2, R2C



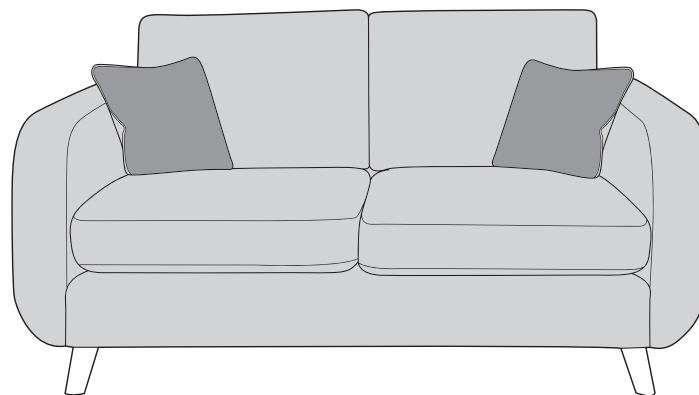
Corner Goup: L2C, RH2



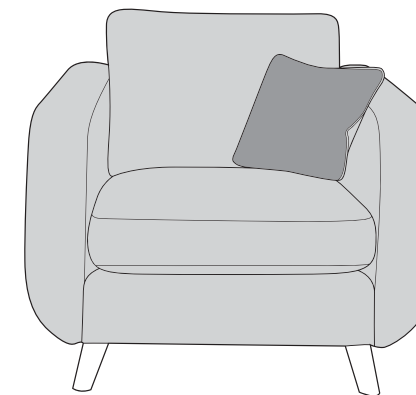
3 Seater Sofa (3ST)



2 Seater Sofa (2ST)



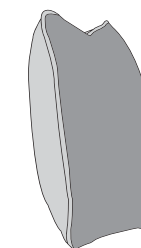
Arm Chair (1ST)



 **COVER 1**  
(BODY)

 **COVER 2**  
(SCATTER)

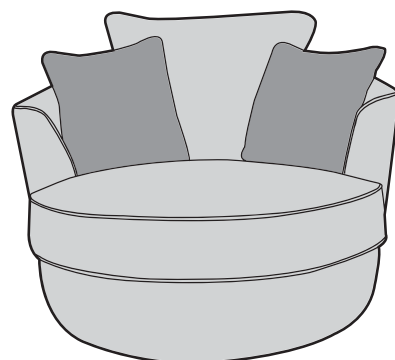
**Scatter Cushion**



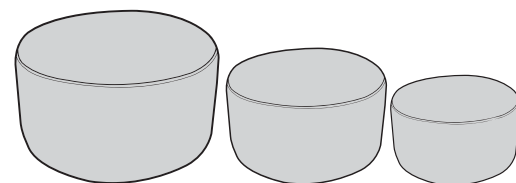
Front = Cover 2  
Piping = Cover 1  
Back = Cover 1

## SUGGESTED ACCENT PIECES

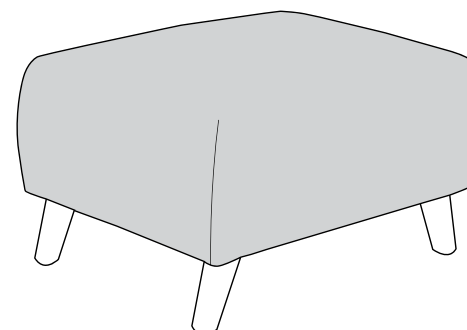
Affinity Swivel Chair (SWC)



Dollies (Set of 3) Footstools (FST)



Maia Footstool (FST)



 **BFM**  
BRITISH FURNITURE  
MANUFACTURERS  
**APPROVED MEMBER**

**A©ID**  
ANTI COPYING IN DESIGN



# MAIA DIMENSIONS (CM)

AVAILABLE PIECES	HEIGHT 1	OUTBACK HEIGHT	WIDTH 2	DEPTH 3	ARM HIEGHT	SEAT HEIGHT 4	SEAT DEPTH (STD) 5	SEAT WIDTH 6	ACCESS DIAGONAL 7	WEIGHT (KG)	SCATTER CUSHION NO.
LH2/R2C CORNER GROUP or L2C/RH2 CORNER GROUP	88	71	238	169	68	51	N/A	N/A	N/A	75	3
LH2/RH2 UNIT	88	71	146	92	68	51	56	131	168	34	1
L2C/R2C UNIT	88	71	169	92	68	51	56	116	188	41	2
3 SEATER SOFA (3ST)	88	71	178	92	68	51	56	148	196	45	2
2 SEATER SOFA (2ST)	88	71	159	92	68	51	56	129	177	42	2
ARM CHAIR (1ST)	88	71	95	92	68	51	56	65	126	30.5	1
<b>ACCENT PIECES</b>											
AFFINITY SWIVEL (SWC)	90	N/A	114	111	N/A	N/A	N/A	N/A	N/A	N/A	N/A
DOLLIE FOOTSTOOLS (NEST OF 3) (FST)	40	N/A	68	68	N/A	N/A	N/A	N/A	N/A	N/A	N/A
MAIA FOOTSTOOL (FST)	48	N/A	66	55	N/A	N/A	N/A	N/A	85	9.5	N/A

\* Hardwood & composite board frame.

\* Dowelled, screwed, glued & stapled joinery.

\* Antique, Beech & Smokey Grey foot options.

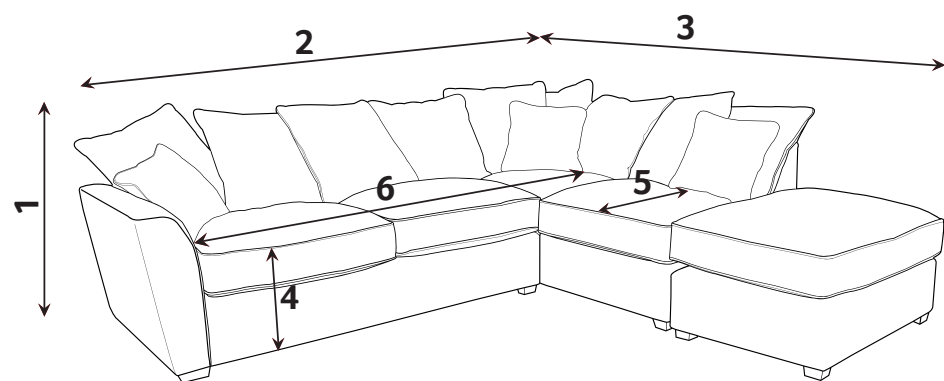
\* Fibre filled reversible backs for added comfort.

\* High density foam seats for support & comfort.

\* Serpentine seat springs & silent wire.

\* Elasticated back webbing.

## DIMENSION GUIDE



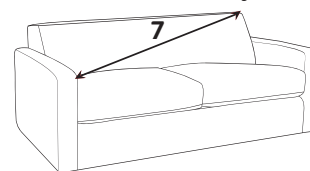
1 - HEIGHT  
2 - WIDTH

3 - DEPTH  
4 - SEAT HEIGHT

5 - SEAT DEPTH (STD & PILLOW)  
6 - SEAT WIDTH

7 - DIAGONAL ACCESS

Check the diagonal access dimension to ensure furniture will fit in your home.



Illustrations used for reference only.

## HIGH DENSITY FOAM SEATS

Our high density foam seat interiors offer a comfortable and supportive sit whilst maintaining their shape.

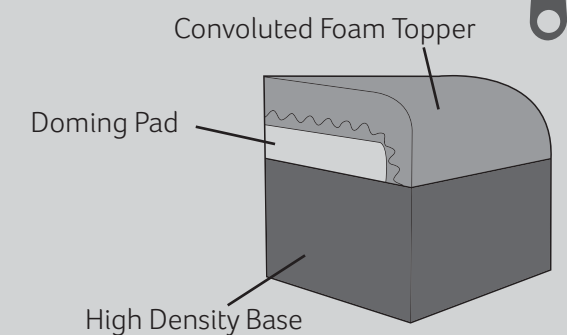
## CARE GUIDE

To improve the longevity of your hand-made furniture, we recommend rotating cushions (where applicable).

For further information on maintaining your furniture, please refer to the Care Guide located under the seat platform.



Our foamflex seat interiors have been granted the FIRA GOLD Award, a mark of quality under-pinning all necessary testing of the product materials, design and production techniques.



Beech    Antique    Smokey Grey



## FOOT OPTIONS:

Wood is a natural product and will vary in shade/colour from item to item. Feet require fitting.

Please note : All dimension are approximate. Allow tolerance of +/- 2.5cm.



The mark of responsible forestry

21/01/2021